

## DSP3008H

### 120W 8" 2-Way Commercial Weatherproof Horn Loudspeaker



#### Description

The DSP3008H is a compact two-way PA loudspeaker featuring a coaxial driver and robust weather resistance. It is well suited for speech and music reinforcement in a broad range of settings, such as sports facilities, racetracks, stadiums, fairgrounds, rodeos, skating rinks, themed entertainment venues, cruise ships, water parks, outdoor background music and paging systems, swimming pools, and many other indoor or outdoor applications.

#### Features

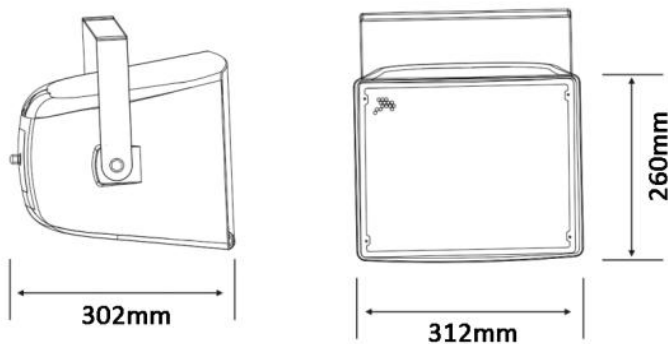
- Water-resistant construction: high-strength ABS exterior with an aluminum mesh grille.
- Delivers high-quality, pleasing audio thanks to a coaxial, two-way driver design.
- Long transmission range, compact footprint, and clear, powerful output. Peak power: 250W. Sound beam angle: <math><110^\circ</math>.

#### Specifications

Model	DSP3008H
Rated Power (100V)	15W/30W/60W/120W
Rated Power (70V)	7.5W/15W/30W/60W/120W
Peak Power	250W
Input	70V / 100V / 8Ω
Sensitivity (1W/1M)	90dB±3dB
Frequency Response	95Hz-12kHz

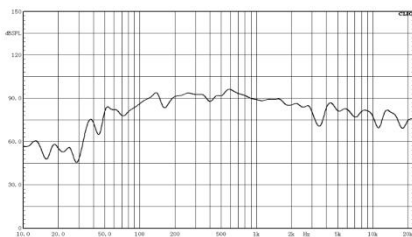
Max. SPL (1M)	110±3dB
Coverage Angle	∠110°
Driver Unit	8"×1 , 1.5"×1
Product Size (H×W×D)	260×312×302mm
Color	Black
Product Weight	9.1 kg
Production Level	IP55 (Reference)
Package Size	390×370×330mm
Housing Materials	Plastic Shell+Aluminum Mesh Cover+Iron Bracket

## Product Information

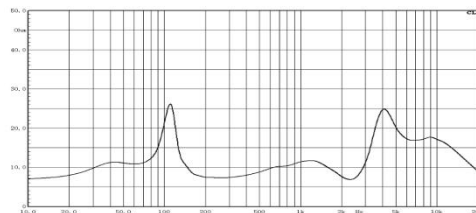


## Characteristics Curve

Frequency Response Characteristic

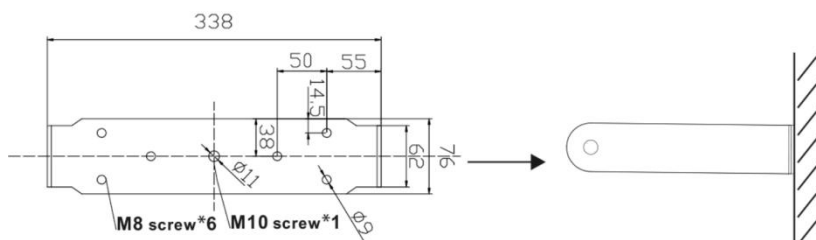


Impedance Characteristic

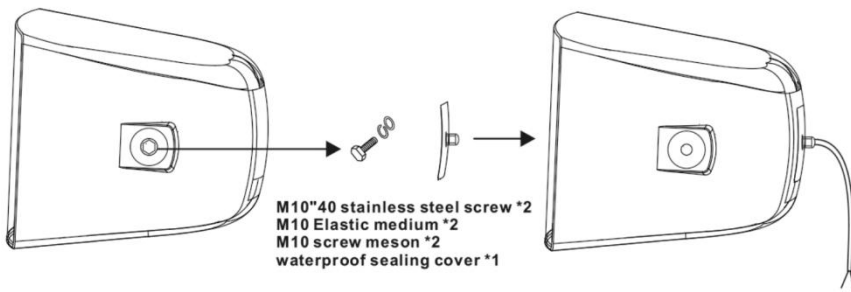


## Installation Step

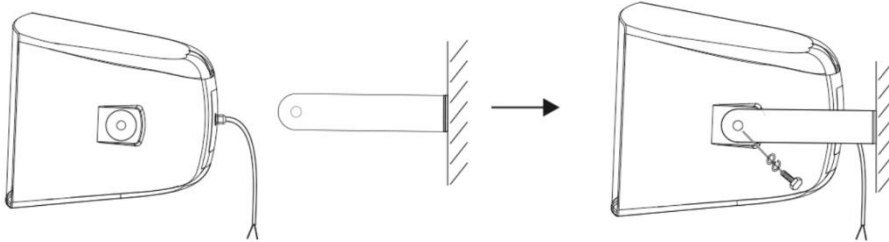
1. Mounting the stable bracket



2. Remove the screws on the horn box for spare use and remove the waterproof seal cover. Connect with the wiring diagram according to the customer's needs, and tighten the seal cover after connection.



3. Combine the horn speaker with the wall bracket



4. Please confirm the mounting stable.

